



PARTS MANUAL

ACCESSORIES UNLIMITED
ZERO TURN PLOW

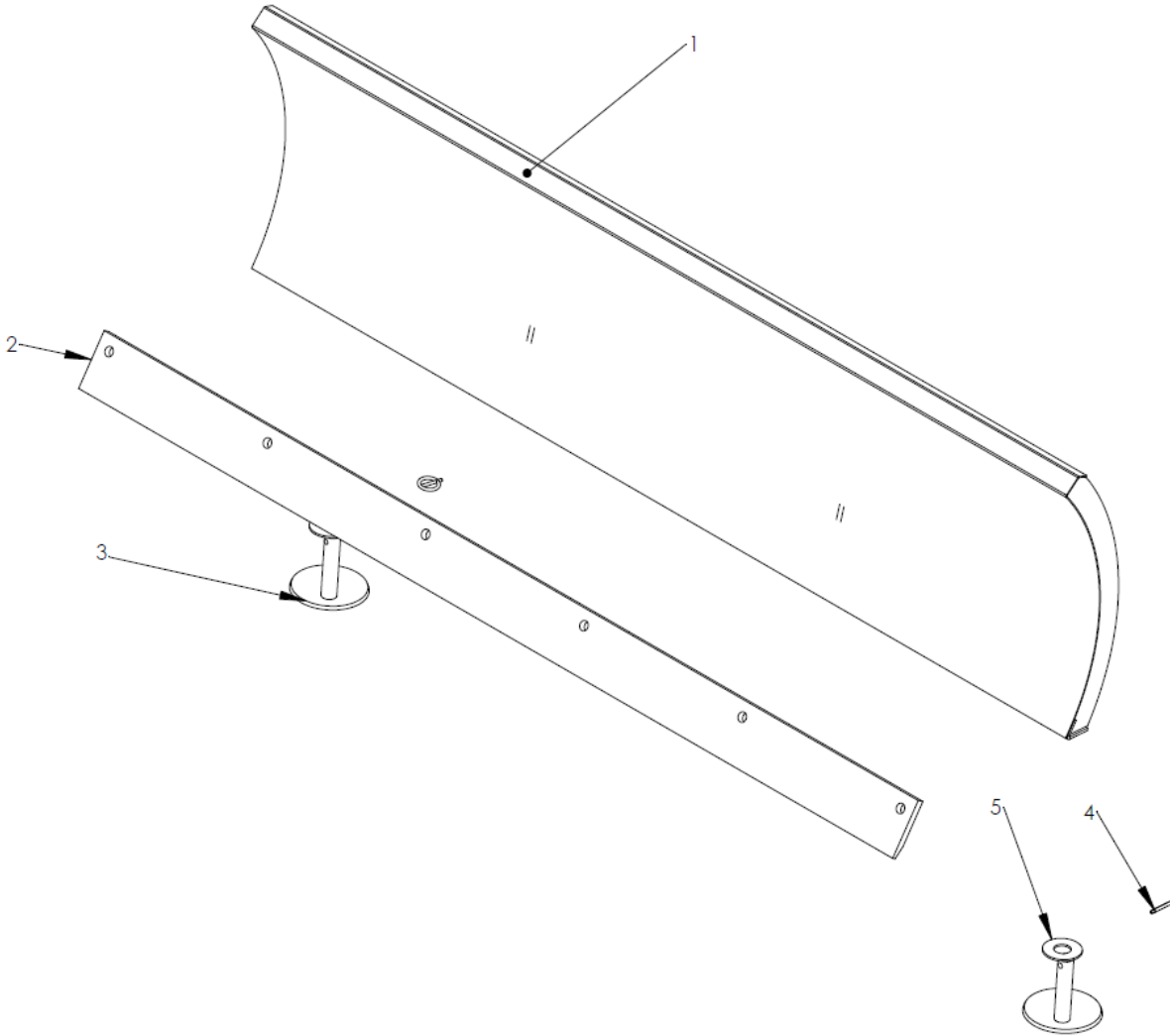
MADE IN THE USA

PARTS

PLOW BLADE PARTS AND ASSEMBLY

AU-02-2500 REV 2

ITEM NO.	PART NUMBER	DESCRIPTION	QTY.
1	AU-02-2400-Width Rev 2	Blade	1
2	AU-03-1602-Width	Cutting Edge	1
3	AU-02-2520	Foot	2
4	AU-03-2276	Lynch Pin	2
5	AU-03-2277	Foot Shim	18

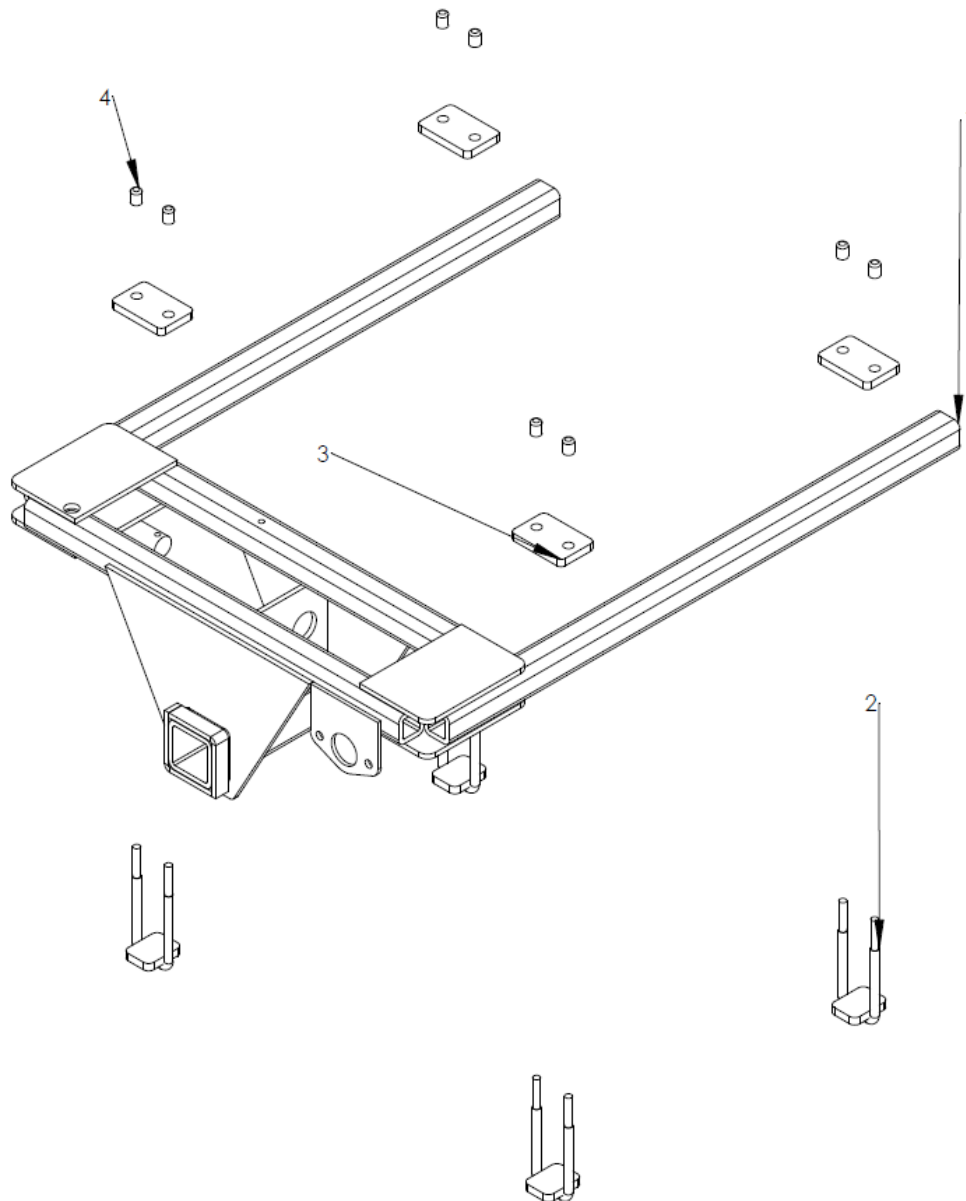


PARTS — CONTINUED

RECEIVER MOUNT (FAST TRACK MOUNT) PARTS AND ASSEMBLY

AU-02-2207 REV 2

ITEM NO.	PART NUMBER	DESCRIPTION	QTY.
1	AU-02-2216	Fast Track Mount	1
2	AU-02-2217	U-Bolt	4
3	AU-03-2205	Bolt Plate	4
4	AU-03-2251	Cap	8

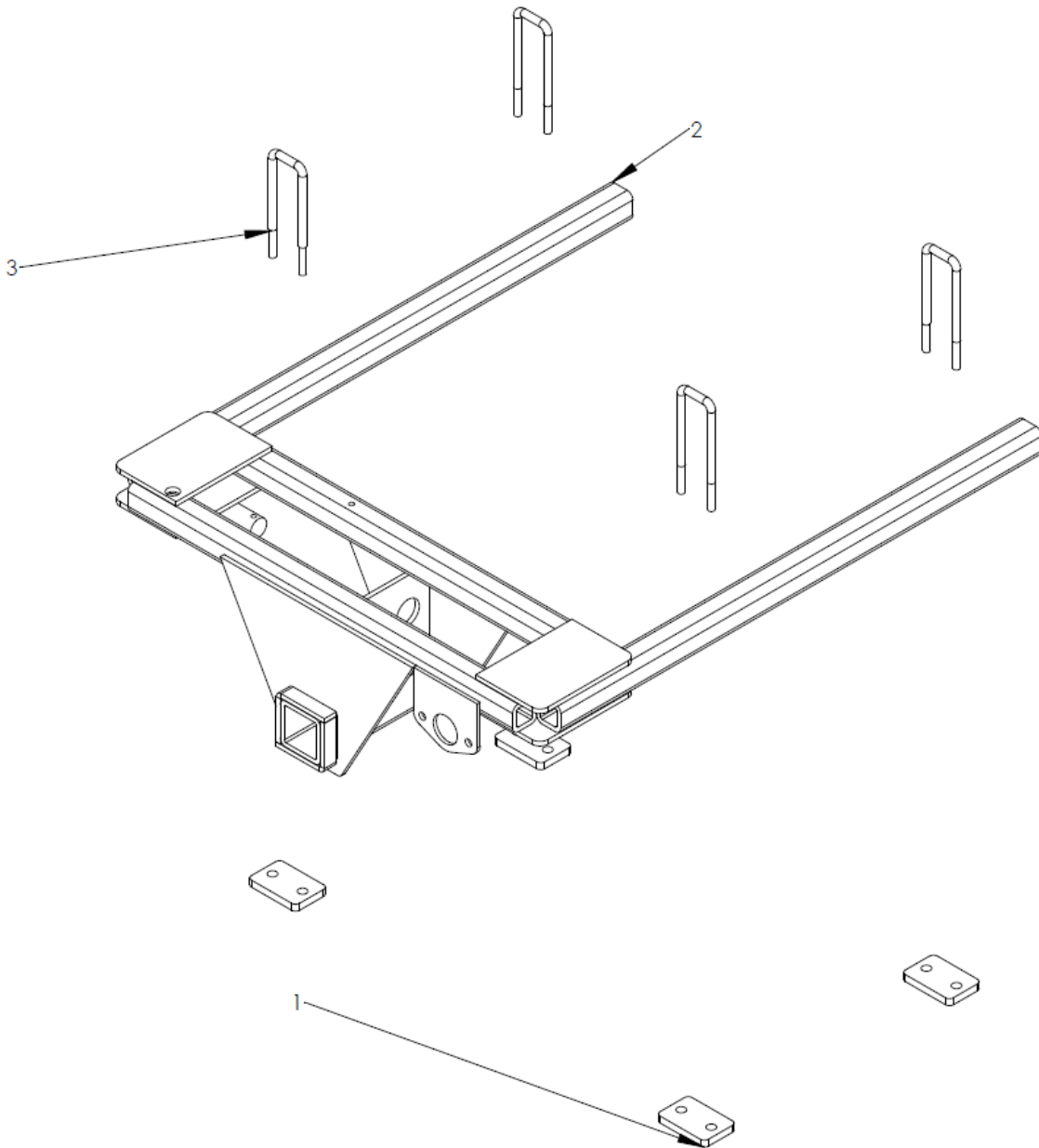


PARTS — CONTINUED

RECEIVER MOUNT (Z SERIES MOUNT) PARTS AND ASSEMBLY

AU-02-2210 REV 2

ITEM NO.	PART NUMBER	DESCRIPTION	QTY.
1	AU-03-2205	Bolt Plate	4
2	AU-02-2215	Z Series Mount	1
3	AU-03-2279	U-Bolt	4

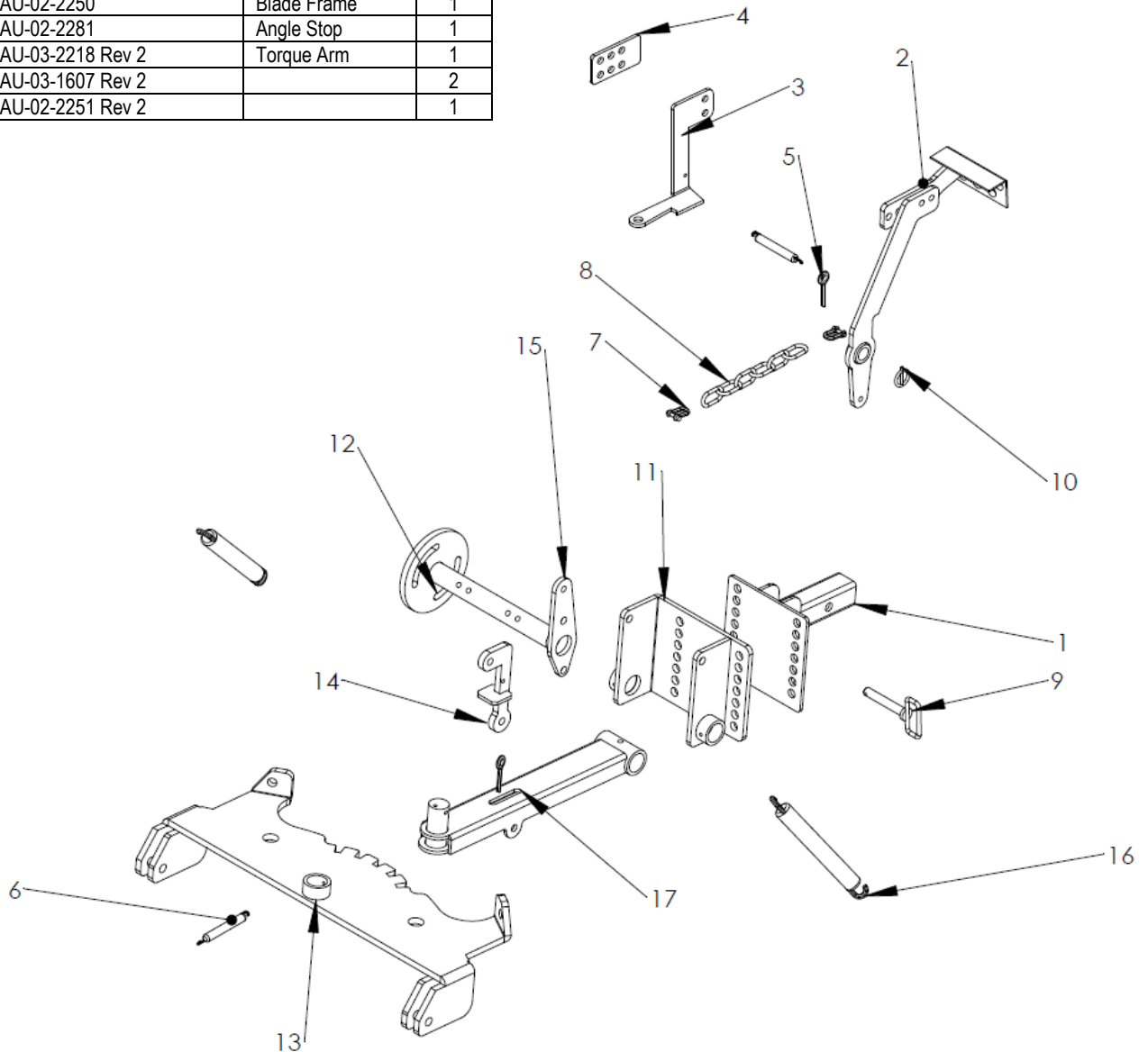


PARTS — CONTINUED

PLOW MOUNT PARTS AND ASSEMBLY

AU-01-2200 REV 3

ITEM NO.	PART NUMBER	DESCRIPTION	QTY.
1	AU-02-2254	Receiver Mount	1
2	AU-02-2280	Foot Pedal	1
3	AU-03-2235	Raised Latch	1
4	AU-03-2244	Release Pad	1
5	.250 Eye Bolt	Eye Bolt	2
6	AU-03-1667	Spring	2
7	AU-03-2271	Shackle	2
8	AU-03-2273	Chain	1
9	AU-03-2274	5/8 Pin	1
10	AU-03-2275	Lynch Pin	1
11	AU-02-2253	Pivot Mount	1
12	AU-02-2208	Torque Rod	1
13	AU-02-2250	Blade Frame	1
14	AU-02-2281	Angle Stop	1
15	AU-03-2218 Rev 2	Torque Arm	1
16	AU-03-1607 Rev 2		2
17	AU-02-2251 Rev 2		1



INSTRUCTIONS

INSTALLING UNIT ON MACHINE

1. Mount receiver mount to frame (see receiver mount diagram).
2. Mount items 2, 3, 4 and 5 from plow mount view and put on receiver mount.
3. Mount plow blade to receiver mount.
4. Connect 8, 9 and 10 from plow mount to foot pedal.
5. Now connect springs to plow mount first then to blade.

NOTE: Always use the proper safety gear when installing (safety glasses, safety gloves, etc.).

WARRANTY

ACCESSORIES UNLIMITED LLC ATTACHMENTS

Accessories Unlimited LLC warrants to its authorized dealers who in turn warrant to the original owner, that each new Accessories Unlimited LLC attachment will be free from proven defects in material and workmanship for twelve (12) months after delivery by the authorized Accessories Unlimited LLC dealer to the original buyer.

During the warranty period, the authorized Accessories Unlimited LLC dealer shall repair or replace, at Accessories Unlimited LLC's option, without charge for parts and labor, any part of the Accessories Unlimited LLC product which fails because of defects in material or workmanship. The owner shall provide the authorized Accessories Unlimited LLC dealer with prompt written notice of the defect and allow reasonable time for replacement or repair. Accessories Unlimited LLC may, at its option, require failed parts to be returned to the factory. Travel time of mechanics and transportation of the Accessories Unlimited LLC product to the authorized Accessories Unlimited LLC dealer for warranty work are the responsibility of the owner. The remedies provided in this warranty are exclusive.

This warranty does not cover replacement of scheduled service items and high wear items. The owner shall rely solely on the warranty, if any, of the respective manufacturers thereof. This warranty does not cover damages resulting from abuse, accidents, alterations, use of the Accessories Unlimited LLC product as an attachment on any equipment not approved by Accessories Unlimited LLC, air flow obstructions, or failure to maintain or use the Accessories Unlimited LLC product according to the instructions applicable to it.

THIS WARRANTY IS EXCLUSIVE AND IN LIEU OF ALL OTHER WARRANTIES AND CONDITIONS, EXCEPT THE WARRANTY OF TITLE, ACCESSORIES UNLIMITED LLC DISCLAIMS ALL OTHER WARRANTIES AND CONDITIONS, EXPRESS OR IMPLIED, INCLUDING ANY IMPLIED WARRANTIES OR CONDITIONS OF MERCHANTABILITY OR FITNESS FOR A PARTICULAR PURPOSE. IN NO EVENT SHALL ACCESSORIES UNLIMITED LLC OR THE AUTHORIZED ACCESSORIES UNLIMITED LLC DEALER BE LIABLE FOR ANY SPECIAL, INCIDENTAL, INDIRECT OR CONSEQUENTIAL DAMAGES, WHATSOEVER, INCLUDING, BUT NOT LIMITED TO, LOSS OR INTERRUPTION OF BUSINESS, LOST PROFITS, OR LOSS OF MACHINE USE, WHETHER BASED ON CONTRACT, WARRANTY, TORT, NEGLIGENCE, STRICT LIABILITY, STATUTE OR OTHERWISE, EVEN IF ACCESSORIES UNLIMITED LLC OR THE AUTHORIZED ACCESSORIES UNLIMITED LLC DEALER HAS BEEN ADVISED OF THE POSSIBILITY OF SUCH DAMAGES. THE TOTAL LIABILITY OF ACCESSORIES UNLIMITED LLC AND THE AUTHORIZED ACCESSORIES UNLIMITED LLC DEALERS WITH RESPECT TO THE PRODUCT AND SERVICES FURNISHED HEREUNDER SHALL NOT EXCEED THE PURCHASE PRICE OF THE PRODUCT UPON WHICH SUCH LIABILITY IS BASED.



PARTS MANUAL
ACCESSORIES UNLIMITED ZERO TURN PLOW

MADE IN THE USA