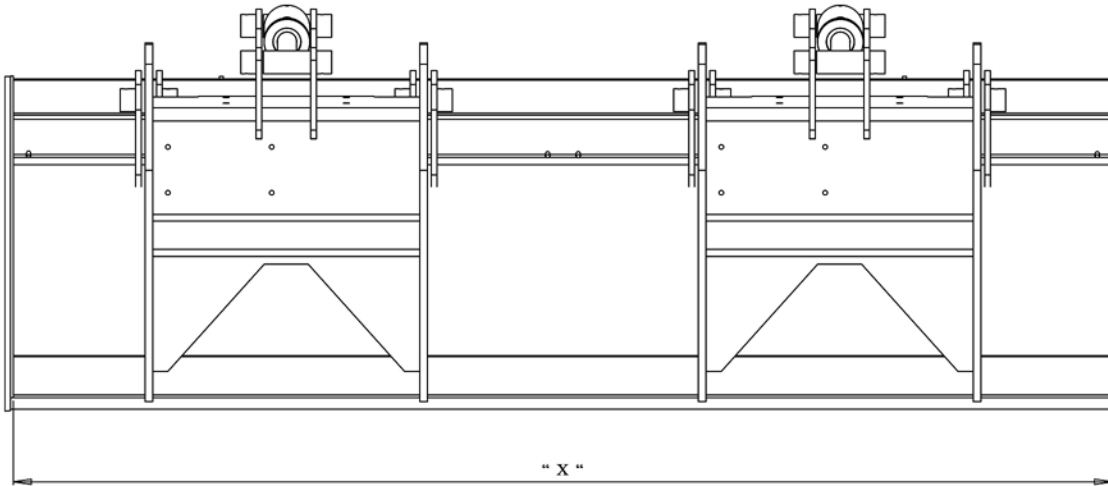


# ACCESSORIES UNLIMITED BUCKET GRAPPLE

OUR 2 IN 1 BUCKET GRAPPLE IS DESIGNED TO SAVE YOU TIME AND MONEY. USE IT AS A BUCKET GRAPPLE FOR CLEANING YOUR WORKSITE OF FILL, ROCKS, AND DEBRIS EASILY. THIS TOUGH BUCKET GRAPPLE IS DESIGNED TO MAKE YOUR JOB EASIER AND EFFICIENTLY

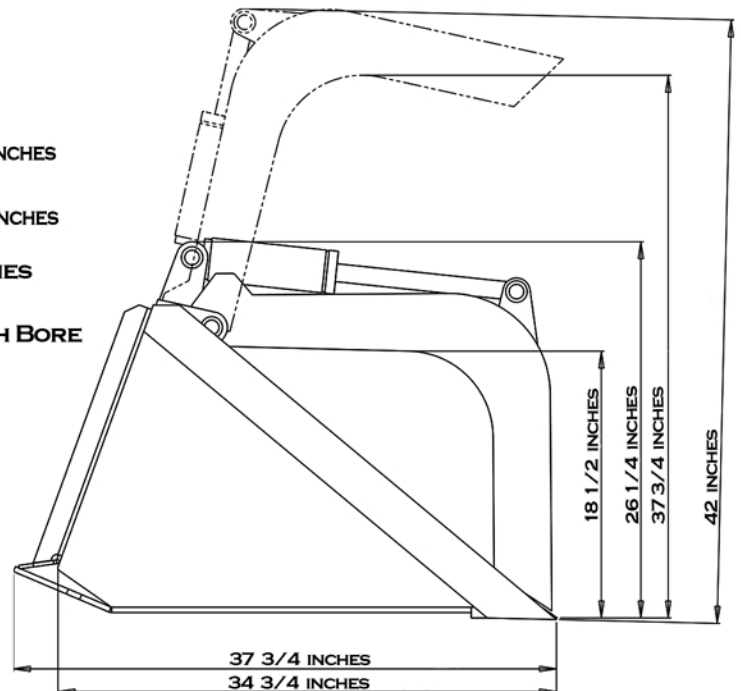


NO MATTER WHAT THE JOB IS!

- ✓ CONSTRUCTION
- ✓ DEMOLITION
- ✓ BUILDINGS
- ✓ RENTAL
- ✓ LANDSCAPING
- ✓ LAND CLEARING

## SPECIFICATIONS

	72 INCH (STOCK)	84 INCH (STOCK)	60-84 INCH (SPECIAL ORDER)
BUCKET GRAPPLE	72 INCH (STOCK)	84 INCH (STOCK)	60-84 INCH (SPECIAL ORDER)
PART NUMBER	A U-01-0640-72	A U-01-0640-84	A U-01-0640-(WIDTH)
WEIGHT	745 LBS	795 LBS	N/A
WIDTH	72 INCHES	84 INCHES	N/A
DEPTH	37 3/4 INCHES	37 3/4 INCHES	37 3/4 INCHES
CLOSED HEIGHT	26 1/4 INCHES	26 1/4 INCHES	26 1/4 INCHES
OPEN HEIGHT	42 INCHES	42 INCHES	42 INCHES
CYLINDER SIZE	2.5 INCH BORE	2.5 INCH BORE	2.5 INCH BORE



ENGINEERED TO FIT YOUR EVERY NEED