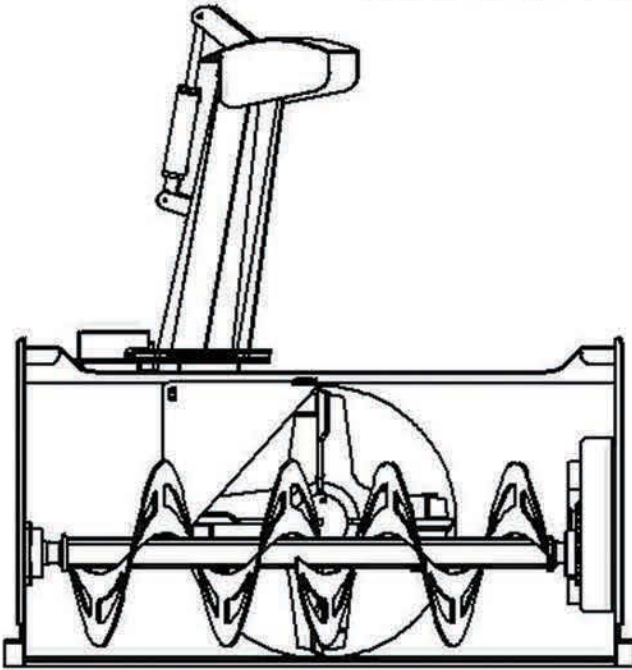


## SINGLE AUGER THREE POINT



	AU-01-6001-52	AU-01-6001-60
SIZE	52" X 28"	60" X 28"
IMPELLERS	24"	24"
AUGERS	SINGLE 16"	SINGLE 16"
HITCH CAT	0,1	0,1
HP	20 - 50	20 - 50
RPM	540	540
DRIVELINE	35 SERIES	35 SERIES
ROTATION	180 DEGREES	180 DEGREES

### CURRENT MODEL ADDED FEATURES INCLUDE

- Housing constructed of 10 gauge High Strength Steel
- PTO: New 35 Series design with extended life and higher Torque E Kit Bearings
- 1/4 Auger flighting with support gussets for more strength

### FEATURES

- Two Stage Snowblower for maximum snow throwing
- 80 Heavy zinc plated chain for longer wear and strength
- Grease lubricated bearing flanges
- Heavy duty sealed gear box for longer life and higher HP rating
- Complete powder painted construction

**American Made Strength**